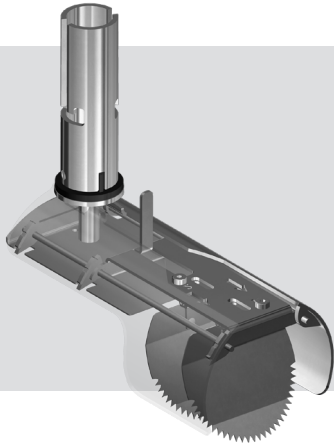


TX11 Rat Blocker

Everyday Essentials



Rat Blocker Installation Instructions

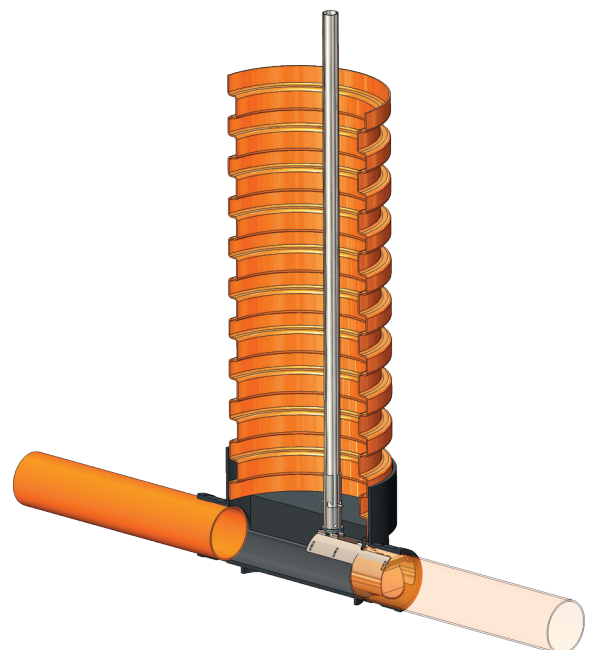
Rat Blockers are designed to stop rats travelling through drains and are installed into pipes within inspection chambers (manholes). They are usually installed into the drain outlet, but can be easily configured to be fitted into a drain inlet.

Rat Blockers allow rats to pass freely downstream, but protect property by preventing their movement upstream. By installing a Rat Blocker into the drain outlet all up stream branches are protected.

Rat Blockers are robust stainless steel devices and are held securely in place with a tight friction fit. Due to their design Rat Blockers from Metex cannot become lost into the drainage line.

Installation Instructions

1. Remove the cover of the manhole chamber then flush a toilet to inspect the drain operation.
2. Extend the mounting pole to the desired length and attach the Rat Blocker before lowering it into the manhole.
3. Once the Rat Blocker reaches the bottom insert it into the desired position by pushing it forward until the stopper of the Blocker is touching the side of the chamber.
4. Turn the mounting pole clockwise until the desired tightness has been reached. Remove the mounting pole and test the installation by flushing the toilet 3 times with 6-7 pieces of toilet paper and visually check that the paper and water passes the Rat Blocker



Orientation of Flaps:

All models of the Nordisk TX11 Rat Blocker are supplied with reversible flaps so that the same unit can be used in either inlet or outlet pipes.

Important notice:

Check that the flaps are in the correct orientation before installing the unit. If the flaps are installed in the incorrect orientation this will result in blockage of the drain as the flaps will be prevented from opening. The following images show the correct orientation of the flaps for installation in inlets or outlets (flow direction is indicated by the smaller arrows).



Installation into Drain Inlet:

The arrow on the housing of the Rat Blocker and the smaller arrow on the flaps are facing in the **opposite direction**.



Installation into Drain Outlet:

The arrow on the housing of the Rat Blocker and the smaller arrow on the flaps are facing in the **same direction**.

Adjusting the gap between Flaps and the Bottom of the Pipe

Before installing the Rat Blocker it is possible to alter the angle of the flap for a better fit into the pipe (if required), this raises the flap by 5mm from the base of the pipe.

To do this install and firmly tighten the two optional hex head (Allen key) screws with retaining washers (supplied). These can be installed on top of the Rat Blocker as shown.

