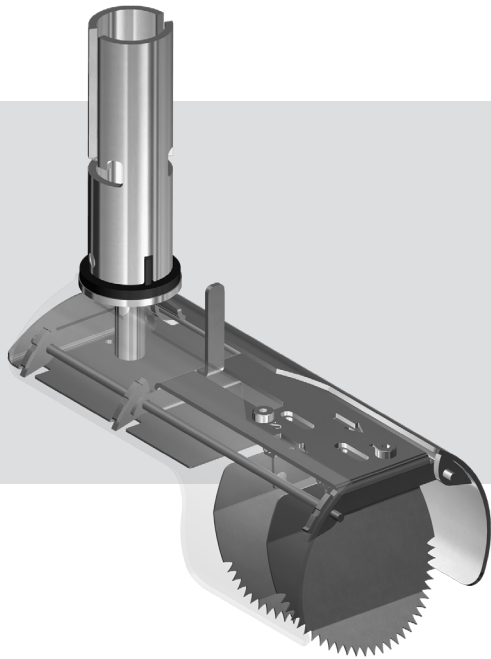


TX11 Rat Blocker

Everyday Essentials



METEX[®]

NORDISK INNOVATION

The Nordisk TX11 is the world leading Stainless Steel Rat Blocking device. It is robust and durable and suitable for industrial or domestic installations.

Revolutionary new industrial-grade rat blocker to prevent entry by rats, whilst allowing free flow of waste.

Rigorously tested and with over 250,000 units installed, Nordisk manufacture the world leading Rat Blocker. With a comprehensive range of rat blockers featuring a stainless-steel twin flap for double protection, the Nordisk TX11 is the only Rat Blocker to achieve Water Research Centre Approval in the UK.

Nordisk TX11 Rat Blocker can be configurable for inlet or outlet position as they are supplied with reversible flaps. The unit is available in a wide range of sizes up to 300mm diameter and is suitable for use in plastic, clay, concrete, cast iron and other pipe materials.

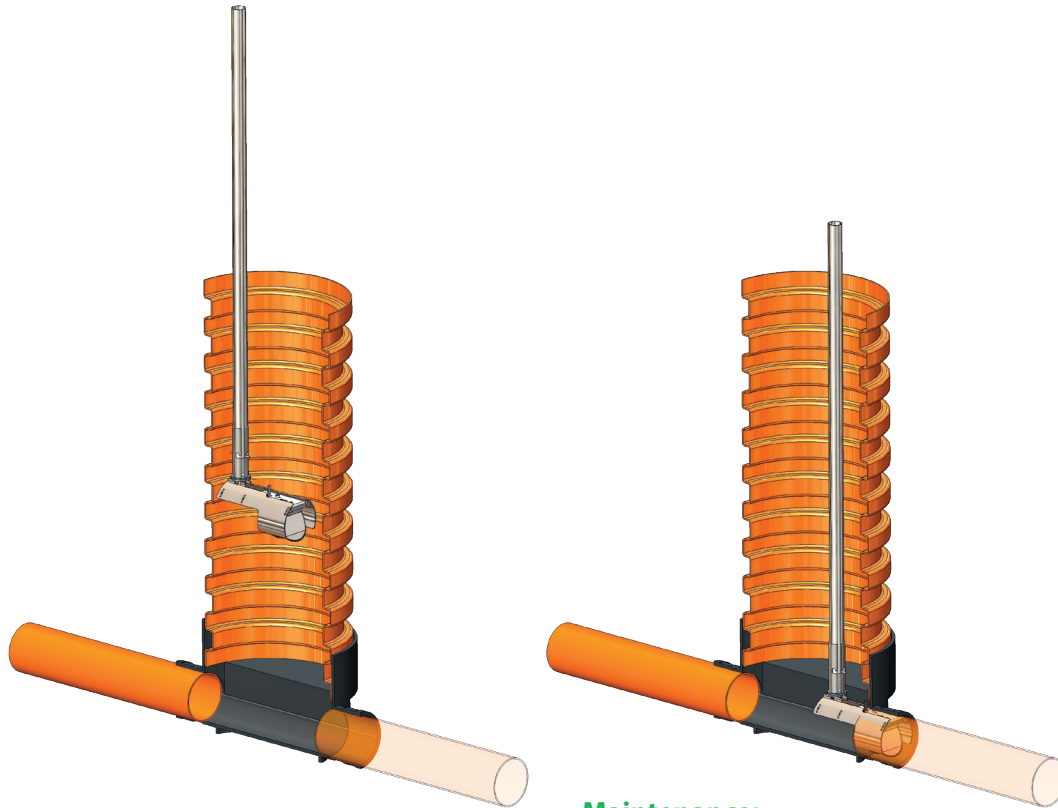
Eco-friendly, these clean and non-toxic Rat Blockers offer a long-lasting and green pest control solution for getting rid of rats in drains.

Advantages:

- WRc Approved product.
- All parts manufactured in acid resistant 316 stainless steel.
- Features dual serrated flaps.
- Reversible flaps for installation from either the inlet or outfall side of the pipework.
- Purpose-made, extendable handle for installation by lowering into the manhole.
- Design ensures unit cannot become dislodged and lost into drainage line.



Nordisk TX11 is stainless steel rodent exclusion device.



Material:

Acid resistance stainless steel AISI 316.

Application:

The Nordisk TX11 Rat Blocker is to be installed within drainage inspection chambers. The device is configurable for installation into the inlet or outlet position.

Security:

The Nordisk TX11 Rat Blocker has a unique expandable design which ensures the unit is securely located into the drainage line. The TX11 cannot become dislodged and lost into the drainage line due to mounting mechanism.

Installation:

The Nordisk TX11 Rat Blocker can be installed simply from street leveling using the installation pole. Its expandable design ensures that the units enters the pipe in clearance before being secured in place.

During installation the warning label should be mounted visibly within the inspection chamber. Ensure the installation instructions are followed carefully when re-installing the unit.

Maintenance:

The Nordisk TX11 Rat Blocker is largely maintenance free, however it must be periodically checked in accordance with the installation instructions. The Rat Blocker must be removed before and replaced after any drainage maintenance work.

The Rat Blocker can be easily removed and re-installed for drain cleaning and maintenance purposes.

During the first three months it is important to check that the Rat Blocker is operating correctly. The Rat Blocker must be inspected and cleaned at least once a year.

It is recommended that a service agreement is put in place for the inspection and maintenance of the installed Rat Blocker.

Flow restriction:

The Nordisk TX 11 Rat Blocker has an open lower section so as to prevent flow restriction. As part of the VA approval process it passed flow tests at the Danish Technological Institution.

Nordisk TX11 Rat Blocker Products from Metex

Product Code	Description
RAT 92016100/110	Ratwall 100/110 Rat Blocker (4 inch)
RAT 92018150/160	Ratwall 150/160 Rat Blocker (6 inch)
RAT 92025225	Nordisk TX11 225mm Rat Blocker (9inch)
RAT 92035300	Nordisk TX11 300mm Rat Blocker (12inch)
RAT 90801	Nordisk Installation Pole 1m
RAT 90802	Nordisk Installation Pole Extension 1m

Installation Instructions

1. Remove the cover of the manhole chamber then flush a toilet to inspect the drain operation.
2. Extend the mounting pole to the desired length and attach the Rat Blocker before lowering it into the manhole.
3. Once the Rat Blocker reaches the bottom, insert it into the desired position by pushing it forward until the stopper of the Blocker is touching the side of the chamber.
4. Turn the mounting pole clockwise until the desired tightness has been reached.
5. Remove the mounting pole and test the installation by flushing the toilet 3 times with 6-7 pieces of toilet paper and visually check that the paper and water passes the Rat Blocker.

Orientation of Flaps:

All models of the Nordisk TX11 Rat Blocker are supplied with reversible flaps so that the same unit can be used in either inlet or outlet pipes.

Important notice:

Check that the flaps are in the correct orientation before installing the unit. If the flaps are installed in the incorrect orientation this will result in blockage of the drain as the flaps will be prevented from opening. The following images show the correct orientation of the flaps for installation in inlets or outlets (flow direction is indicated by the smaller arrows).



Rat Blocker Installation Instructions (contd)



Installation into Drain Inlet:

The arrow on the housing of the Rat Blocker and the smaller arrow on the flaps are facing in the **opposite direction**.



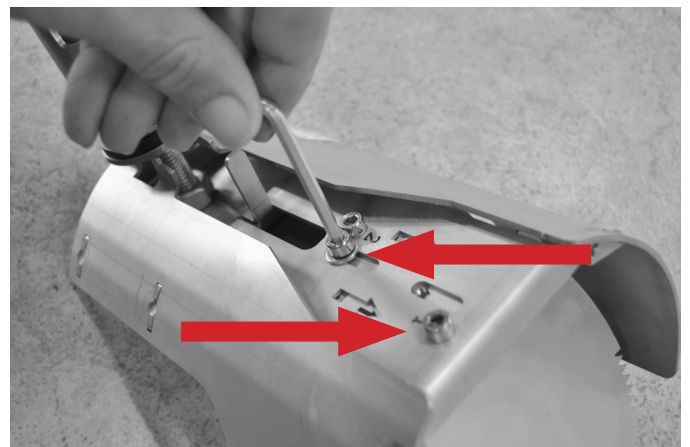
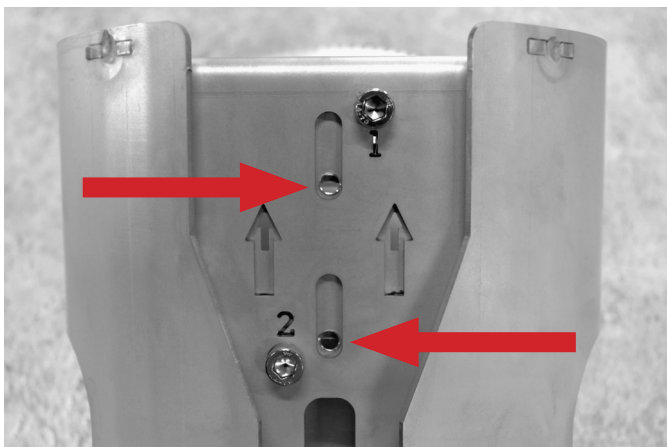
Installation into Drain Outlet:

The arrow on the housing of the Rat Blocker and the smaller arrow on the flaps are facing in the **same direction**.

Adjusting the gap between Flaps and the Bottom of the Pipe

Before installing the Rat Blocker it is possible to alter the angle of the flap for a better fit into the pipe (if required), this raises the flap by 5mm from the base of the pipe.

To do this install and firmly tighten the two optional hex head (Allen key) screws with retaining washers (supplied). These can be installed on top of the Rat Blocker as shown.



S1E Limited Specialist Suppliers of Trenchless Technology

No-dig Pipeline Repair

S1E Limited is a specialist supplier of trenchless technologies to the drainage repair industry. The company focuses on sourcing quality products for professional use. They are all tried and tested in the field to produce impressive results. S1E distributes high-quality products from market-leading manufacturers for the drainage repair industry. Products include camera inspection systems, cutting and cleaning tools, CIPP lining equipment and consumables, mechanical point repair devices, rat blockers and other site consumables.


S1E Limited is committed to being a quality supplier, with a focus on customer service. S1E is proud to be an active member of the UK Society for Trenchless Technology.

First established in 2007 as Fernco Environmental, the company's mission was to seek out repair products for the infrastructure repair and water management markets. Since 2016, it has re-focused its ranges to the specialist field of trenchless repair, with a growing portfolio in this specialist area.


The company is owned by Cooper Companies Inc, a US-based leader in the production of pipe couplings. The Group also owns companies in Canada, Mexico, Brazil, Germany and France, as well as the UK-based sister company to S1E, Fernco (previously, Flexseal).

It is accredited to ISO 9001: 2015 for its Quality Management System. It is also accredited to ISO 14001: 2015 for its Environmental Management System.

 +44 (0)1226 397 015

 contact@s1e.co.uk

 www.s1e.co.uk

 Cooper House, Unit 2, Spring Hill Road, Grimethorpe, Barnsley, S72 7BQ

